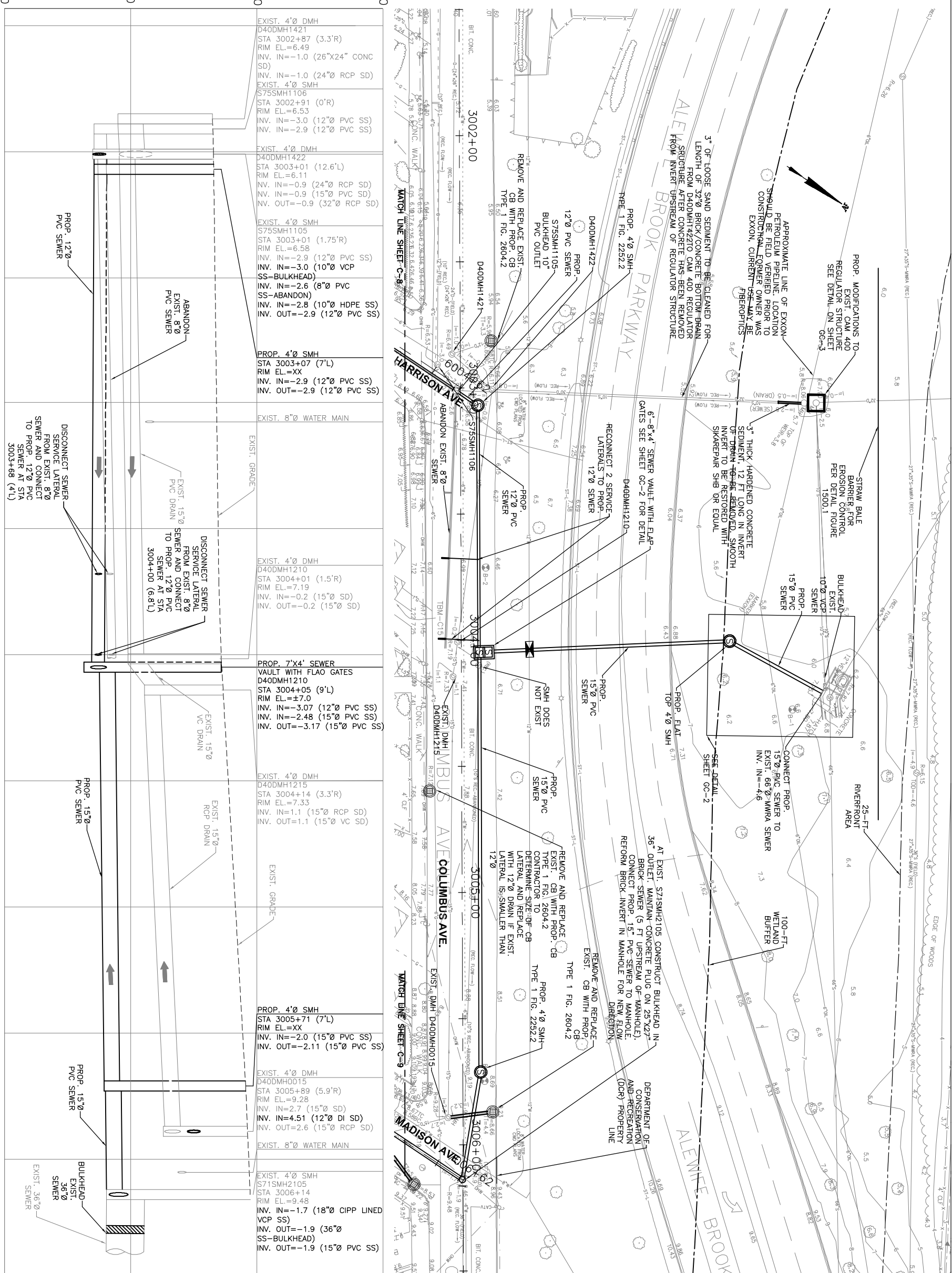
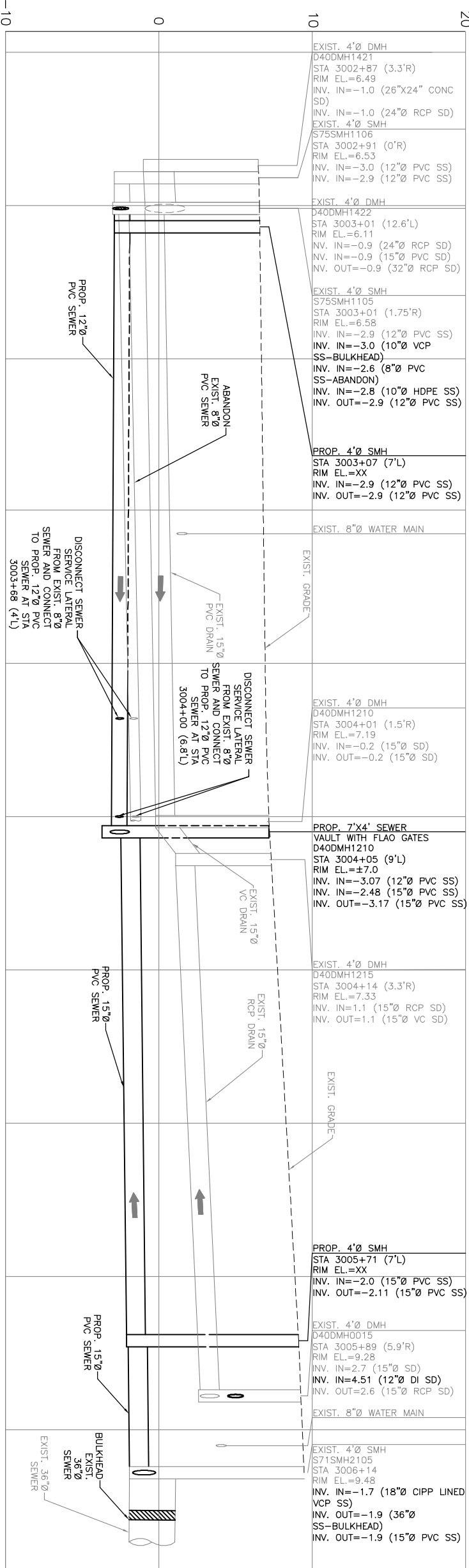


COLUMBUS AVENUE PLAN



COLUMBUS AVENUE PROFILE



NOT FOR CONSTRUCTION
NOI
10-30-09

SEA CONSULTANTS INC.
Sustainable Infrastructure
Cambridge, Massachusetts Concord, New Hampshire
Rocky Hill, Connecticut Augusta, Maine
Framingham, Massachusetts

MWH
BOSTON
MASSACHUSETTS

Scale	Date	Job No.	Designed by	Drawn by	Checked by	Approved by
1"=20' H. 1"=4' V.	NOVEMBER 2009	1000250	AMF	AMF	DHC	WCP

No.	Description	Date

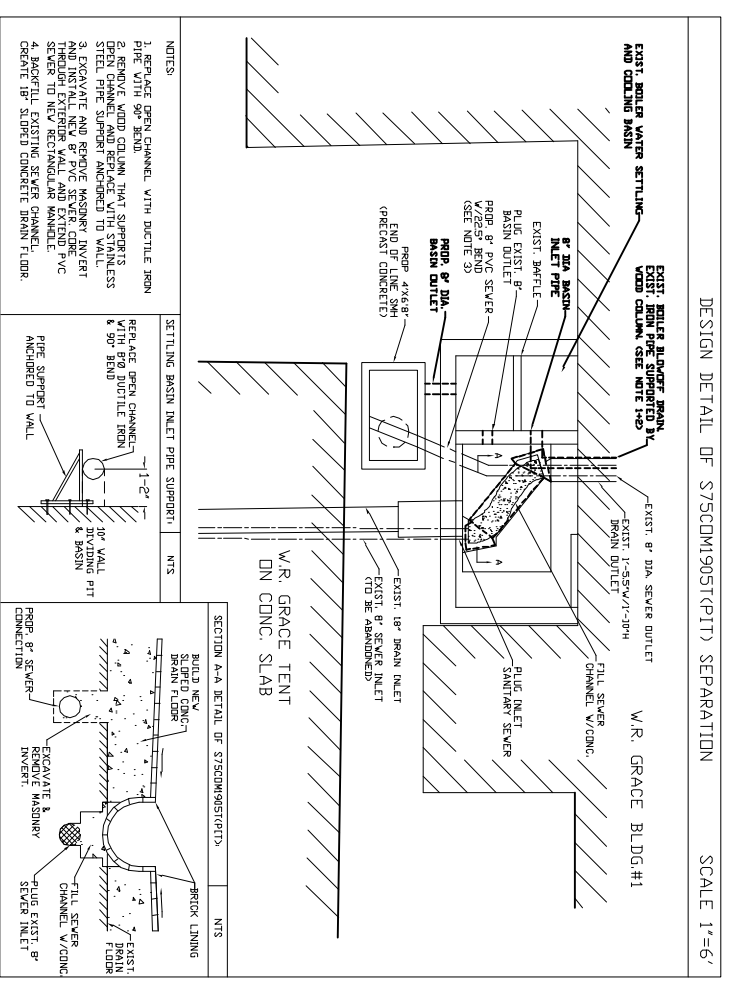
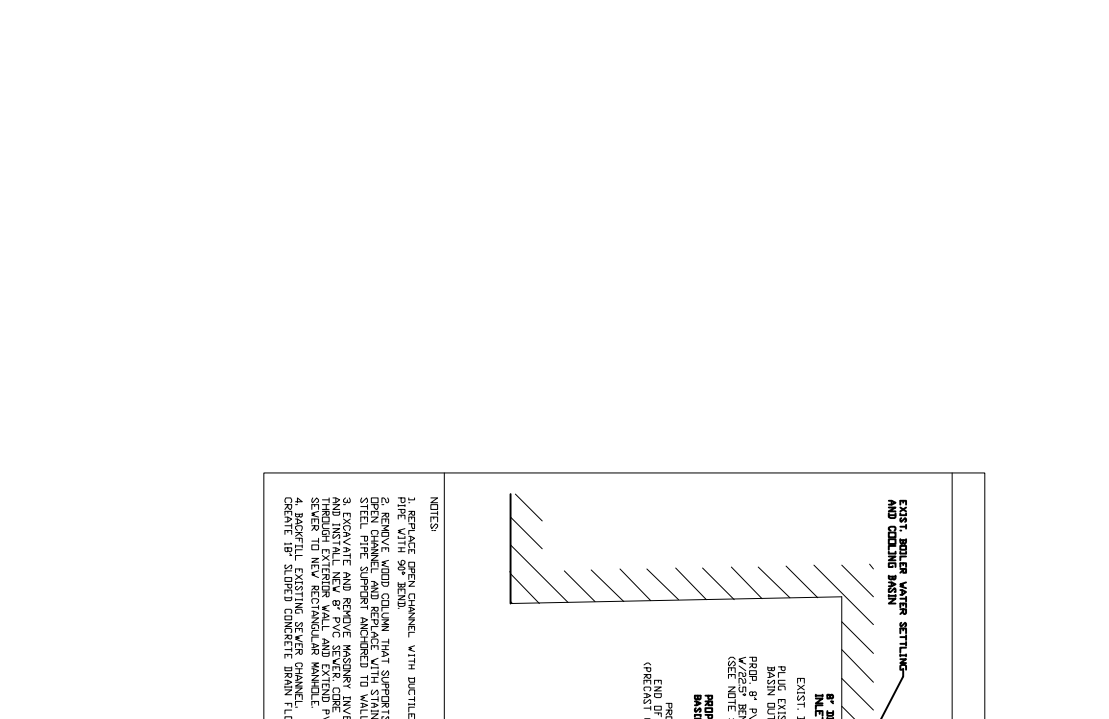
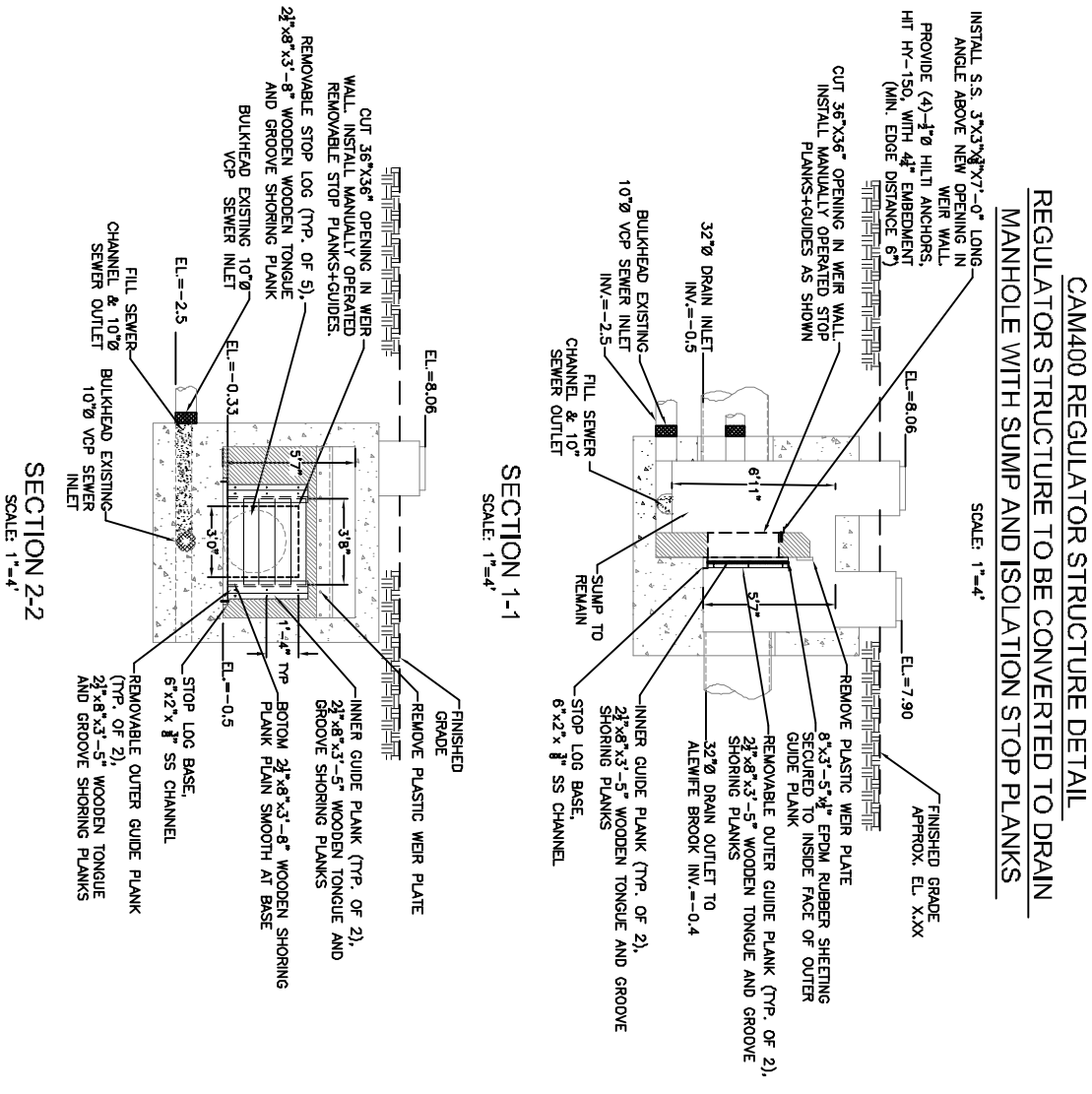
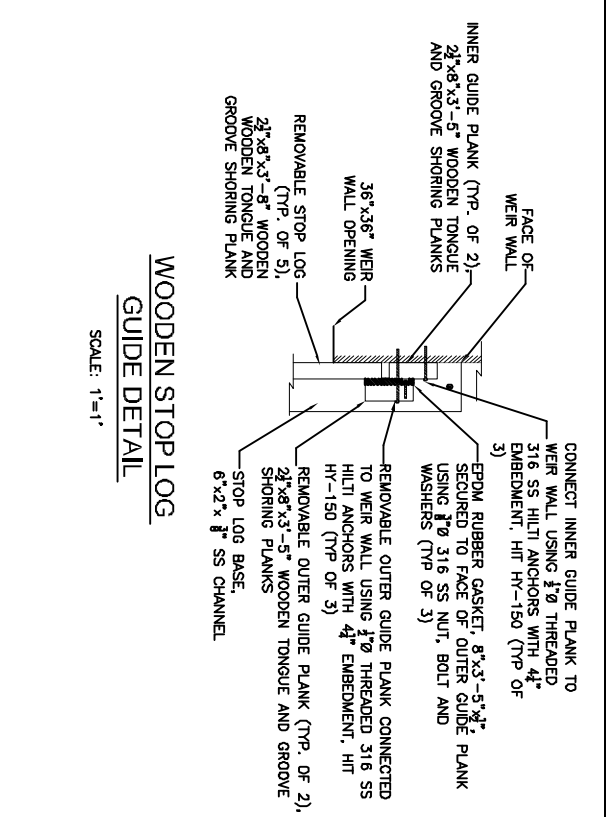
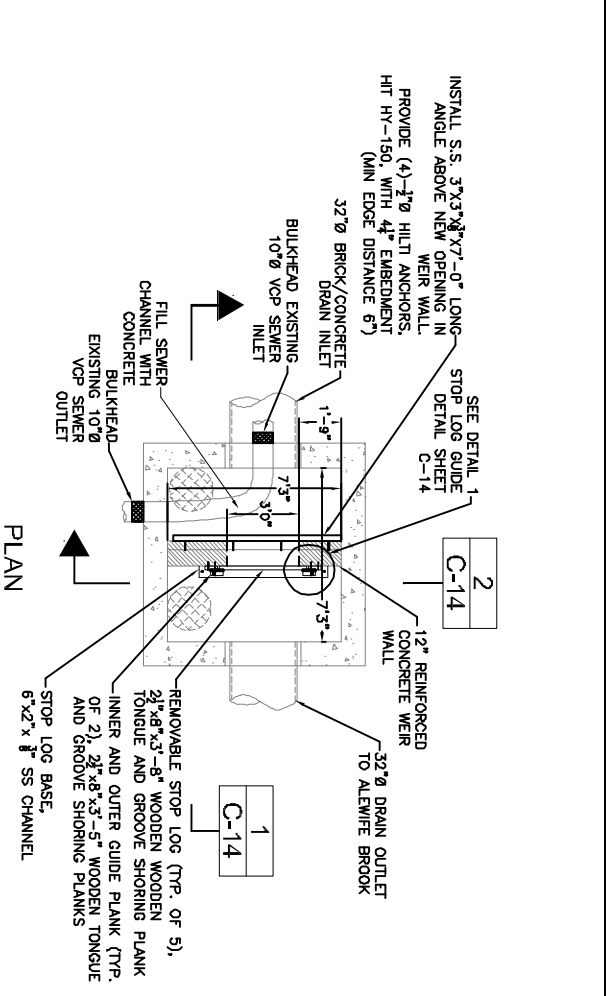
CITY OF CAMBRIDGE, MA

ALEWIFE BROOK FLOATABLES CONTROL (CONTRACT 4) AND
CAM 400 SEWER SEPARATION PROJECT (CONTRACT 13)

COLUMBUS AVENUE STA 3001+50 TO STA 3006+50
PLAN AND PROFILE

Sheet No.
C-11

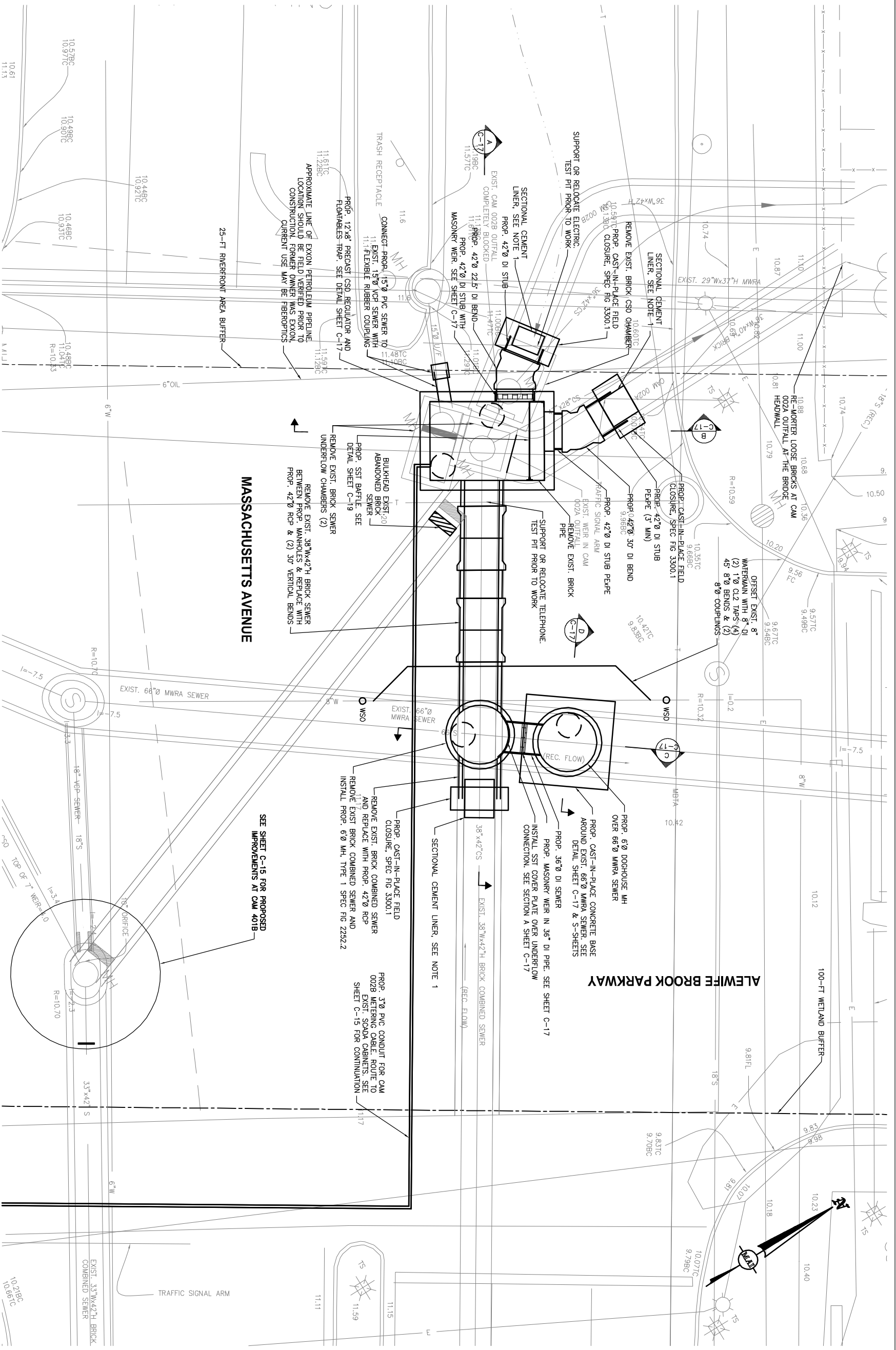
File No.



NOT FOR CONSTRUCTION
NOI
10-30-09

		Scale	AS NOTED		CITY OF CAMBRIDGE, MA CONTRACT 4 & CONTRACT 13 GENERAL CIVIL - STRUCTURE DETAILS
		Date	OCTOBER 2009		
		Job No.	10162510		SHEET NO. GC-5
		Designed by	AMF		1 of 1
		Drawn by	AMF		
		Checked by	CHC		
		Approved by	WCP		

NOTES:
 1. PRIOR TO EXCAVATION, INSTALL 3" THICK, 4' LONG FIBERGLASS-REINFORCED CEMENT LINER (ALUMINUM LINER, OR EQUAL), 3' TO REMAIN WITHIN EXIST BRICK CONDUIT AFTER SAW-CUT.



CAM 002 REGULATOR AND FLOATABLES CONTROL STRUCTURES – PLAN

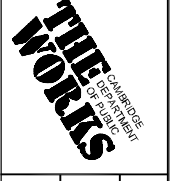
SCALE: 1" = 5'

NOT FOR CONSTRUCTION
 NOT FOR CONSTRUCTION
 10-30-09

S B A
 SEA CONSULTANTS INC.
 Cambridge, Massachusetts
 Rocky Hill, Connecticut
 Franklin, Massachusetts



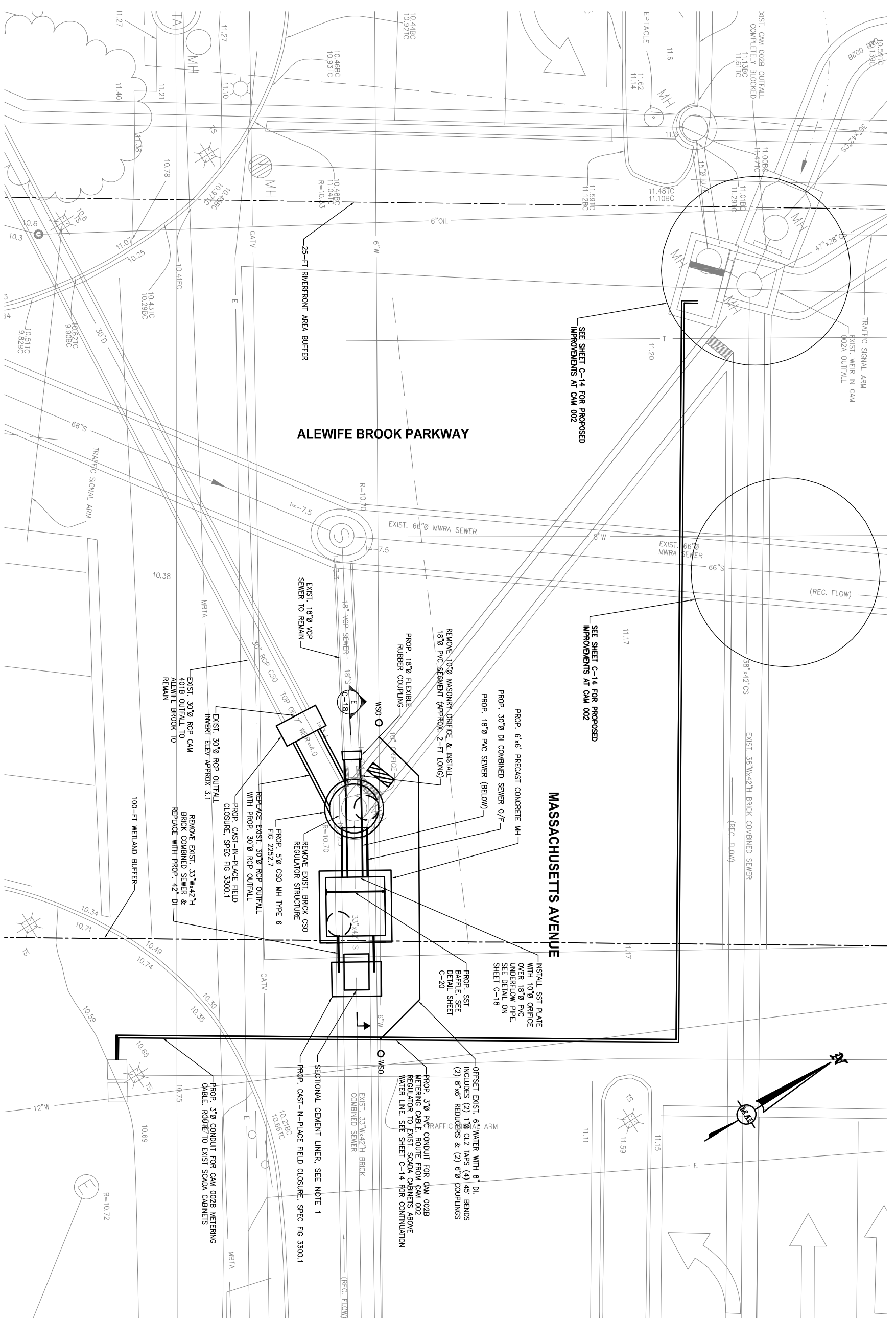
Scale	Date	Job No.	Designed By	Drawn By	Checked by	Approved by
1"=5'	OCTOBER 2009	1006250	MAW	MAW	DHC	WCP
REVISIONS						
			Description			



CITY OF CAMBRIDGE, MA
 ALEWIFE BROOK FLOATABLES CONTROL (CONTRACT 4) AND
 CAM 400 SEWER SEPARATION PROJECT (CONTRACT 13)
 CAM 002 REGULATOR & FLOATABLES CONTROL
 PLAN

Sheet No.
C-14
 File No.

NOTES:
 1. PRIOR TO EXCAVATION, INSTALL 3" THICK, 4' LONG FIBERGLASS-REINFORCED CEMENT LINER (ALUMINUM LINER, OR EQUAL), 3' TO REMAIN WITHIN EXIST BRICK CONDUIT AFTER SAW-CUT.



CAM 401B REGULATOR AND FLOATABLES CONTROL STRUCTURES - PLAN
 SCALE: 1" = 5'

NOT FOR CONSTRUCTION
 NOT FOR CONSTRUCTION
 10-30-09

S E A
SEA CONSULTANTS INC.
 Cambridge, Massachusetts
 Rocky Hill, Connecticut
 Franklin, Massachusetts



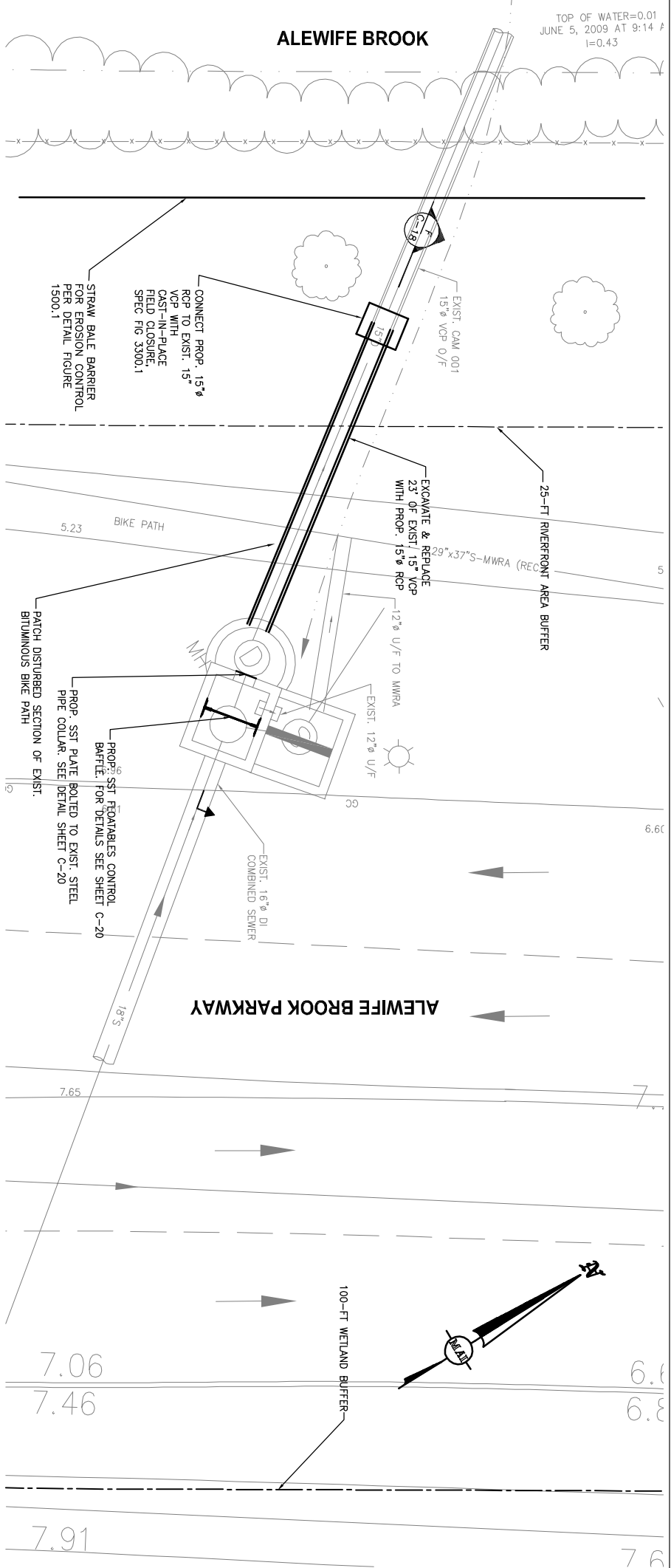
Scale	1"=5'
Date	OCTOBER 2009
Job No.	1006250
Designed by	MAW
Drawn by	MAW
Checked by	DHC
Approved by	WCP
	REVISIONS
	No.
	Description
	Date



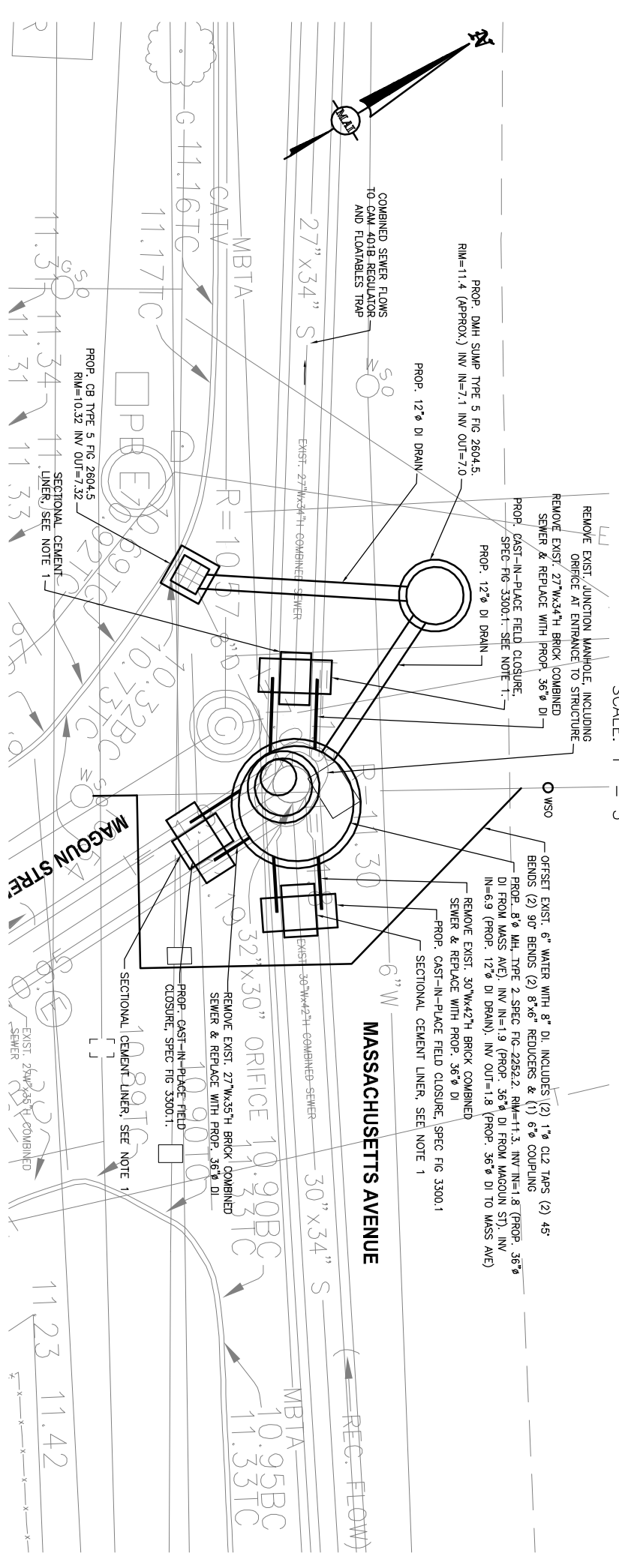
CITY OF CAMBRIDGE, MA
 ALEWIFE BROOK FLOATABLES CONTROL (CONTRACT 4) AND
 CAM 400 SEWER SEPARATION PROJECT (CONTRACT 13)
 CAM 401B REGULATOR & FLOATABLES CONTROL
 PLAN

Sheet No.
C-15
 File No.

NOTES:
 1. PRIOR TO EXCAVATION, INSTALL 3" THICK, 4' LONG FIBERGLASS-REINFORCED CEMENT LINER (ALUMINA LINER, OR EQUAL), 5' TO REMAIN WITHIN EXIST BRICK CONDUIT AFTER SAW-CUT.



CAM 001 REGULATOR AND FLOATABLES CONTROL STRUCTURE - PLAN
 SCALE: 1" = 5'



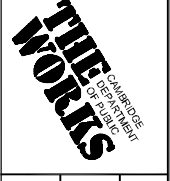
COMBINED SEWER MANHOLE REPLACEMENT - PLAN
 SCALE: 1" = 5'

NOT FOR CONSTRUCTION
 10-30-09

S B A
 SEA CONSULTANTS INC.
 380 Cambridge Street
 Cambridge, Massachusetts 02142
 ROCKY HILL, CONNECTICUT 06154
 FRAMINGHAM, MASSACHUSETTS



Date	Scale	1"=4'
OCTOBER 2009		
Job No. 1006250		
Designed by MAW		
Drawn by MAW		
Checked by DHC		
Approved by WCP		



Date	Description	Revisions

CITY OF CAMBRIDGE, MA
 ALEWIFE BROOK FLOATABLES CONTROL (CONTRACT 4) AND
 CAM 400 SEWER SEPARATION PROJECT (CONTRACT 13)
 CAM 001 FLOATABLES CONTROL & MAGOUN ST & MASS AVE
 PLAN

C-16